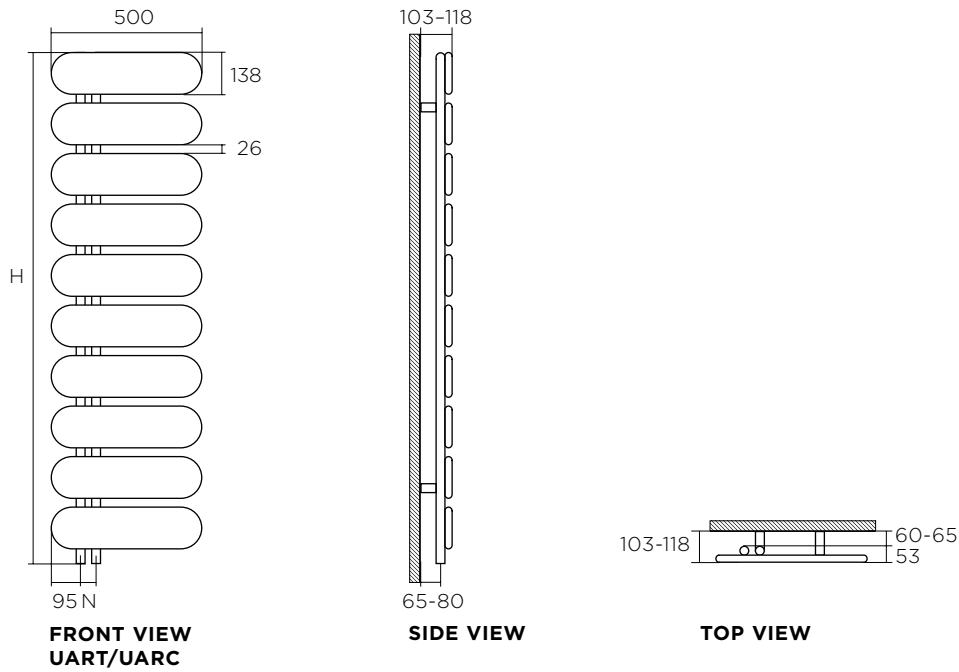

RUNTAL PUZZLE



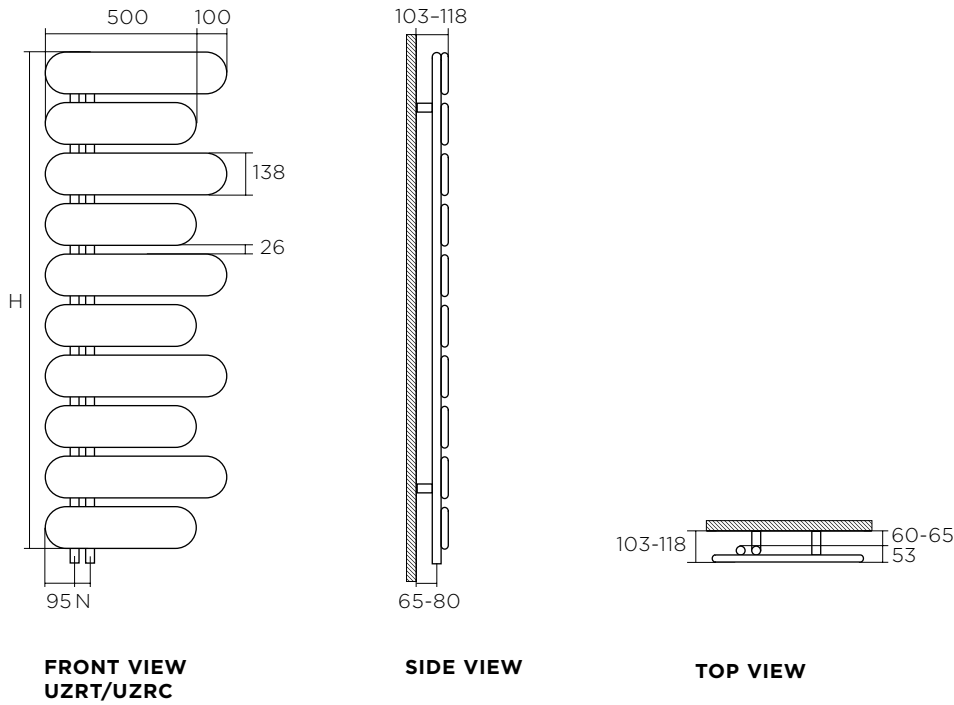
runtal

RUNTAL PUZZLE TECHNICAL SPECIFICATIONS

CENTRAL HEATING VERSION — ASYMMETRIC MODEL TO THE RIGHT SIDE

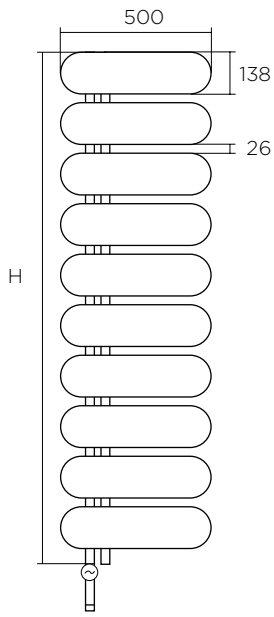


CENTRAL HEATING VERSION — ASYMMETRIC OFFSET MODEL TO THE RIGHT SIDE

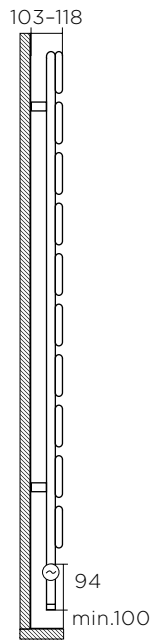


- H Height (mm)
- L Width (mm)
- N Pipe centres (mm)

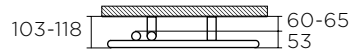
ELECTRIC ONLY VERSION — ASYMMETRIC MODEL TO THE RIGHT SIDE



**FRONT VIEW
UAERT/UAERC**

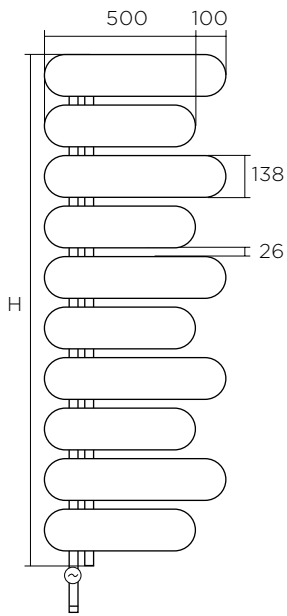


SIDE VIEW

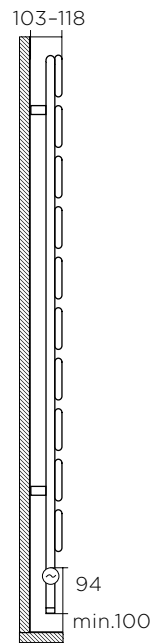


TOP VIEW

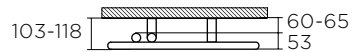
ELECTRIC ONLY VERSION — ASYMMETRIC OFFSET MODEL TO THE RIGHT SIDE



**FRONT VIEW
UZERT/UZERC**



SIDE VIEW



TOP VIEW

- H Height (mm)
- ⊙ Electric immersion heater

RUNTAL PUZZLE

CENTRAL HEATING VERSION — ASYMMETRIC MODEL TO THE RIGHT SIDE

Height 1313 mm	Width mm	N mm	V dm ³	M kg	n	P ΔT 50K Watt	Surface (radiator body)
UART-130-050	500	50	4.6	19.8	1.226	513	Titanium (0542)
UARC-130-050	500	50	4.6	19.8	1.226	359	Chrome (0790)

Height 1641 mm	Width mm	N mm	V dm ³	M kg	n	P ΔT 50K Watt	Surface (radiator body)
UART-170-050	500	50	5.8	24.6	1.235	642	Titanium (0542)
UARC-170-050	500	50	5.8	24.6	1.235	449	Chrome (0790)

CENTRAL HEATING VERSION — ASYMMETRIC OFFSET MODEL TO THE RIGHT SIDE

Height 1313 mm	Width mm	N mm	V dm ³	M kg	n	P ΔT 50K Watt	Surface (radiator body)
UZRT-130-060	600	50	4.9	21.4	1.222	576	Titanium (0542)
UZRC-130-060	600	50	4.9	21.4	1.222	383	Chrome (0790)

Height 1641 mm	Width mm	N mm	V dm ³	M kg	n	P ΔT 50K Watt	Surface (radiator body)
UZRT-170-060	600	50	6.2	26.7	1.233	724	Titanium (0542)
UZRC-170-060	600	50	6.2	26.7	1.233	479	Chrome (0790)

N: pipe centres, V: volume, M: weight, n: exponent, P ΔT 50K: EN 442 output

ELECTRIC ONLY VERSION – ASYMMETRIC MODEL TO THE RIGHT SIDE

Height 1313 mm	Width mm	M kg	EP Watts	Surface (radiator body)
UAERT-130-050/IF	500	24.5	300	Titanium (0542)
UAERC-130-050/ IF	500	24.5	300	Chrome (0790)

Height 1641 mm	Width mm	M kg	EP Watts	Surface (radiator body)
UAERT-170-050/ IF	500	29.9	600	Titanium (0542)
UAERC-170-050/ IF	500	29.9	300	Chrome (0790)

ELECTRIC ONLY VERSION – ASYMMETRIC OFFSET MODEL TO THE RIGHT SIDE

Height 1313 mm	Width mm	M kg	EP Watts	Surface (radiator body)
UZERT-130-060/ IF	600	26.0	300	Titanium (0542)
UZERC-130-060/ IF	600	26.0	300	Chrome (0790)

Height 1641 mm	Width mm	M kg	EP Watts	Surface (radiator body)
UZERT-170-050/ IF	500	31.5	600	Titanium (0542)
UZERC-170-060/ IF	600	31.5	300	Chrome (0790)

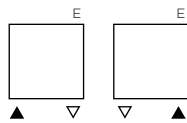
EP: electric power, M: weight

TECHNICAL DATA

Materials	Round tubes, Ø 25 mm, and header tubes, Ø 30 mm, made of steel, powder-coated, titanium (0542) or chrome-plated, magnetic decorative panels, painted in a black chalkboard effect lacquer (removable) finishes made from black chalkboard panels (removable, can be used as alternative towel holder)
Operating pressure	Max. 4.0 bar (EN 442) On request: max. 10 bars at extra charge +15%
Test pressure	5.2 bar
Operating temperature	Max. 110 °C
Standard kit	Brackets in the same colour as the radiator, screws and plugs ½" air vent, included in the packaging

Valves As per ACCESSORIES price list

Connections Standard 2 x ½" with internal thread, ½" air vent (E), flow ▲ / return ▼ at choice left- or right-hand at bottom, for central heating



Single-pipe systems Possible

Electric-only model Filled with non-flammable, non-toxic heat transfer fluid, frostproof up to -20 °C. Immersion heater IRPROG with infrared control unit (function with batteries). Receiver is on left header.

Mains voltage: 230/240 V, 50 Hz
 Mains connection: 1.0 m power cable without plug
 Degree of protection: Class I IP44 (splash water) with CE-marking



Thermostat



Control unit 135 x 81 mm
 - Room temperature control
 - Daily and weekly programme
 - Operating modes: frost protection
 - Economy programme, comfort, automatic, manual, off
 - Wall-mounted or free-standing

Position of electrical connection The electrical connection must be performed by an electrician in accordance with applicable regulations

Standards CE, EN 442

RUNTAL PUZZLE ACCESSORIES



Dual energy towel drying radiators continue to offer warmth and comfort throughout the home during summer months when the central heating system is not in use

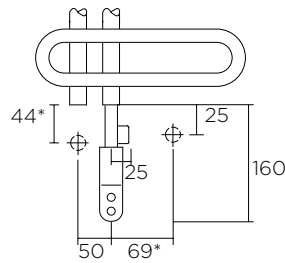
Kit LAMDA accessory for mixed operation:

The towel radiator in central heating version can be transformed in mixed operation class II with the corresponding immersion heater Kit LAMDA. It is advisable that the immersion heater is fitted on the return side of the radiator. The pipe centre will be reduced by 69* mm. Chrome plated, T-piece included.

Kit immersion heater LAMDA chrome

Watt

Art. 587218	300
Art. 857228	600



* with runtal radval valve, this dimension varies according to the valve selected

CARACTERISTICS:

Mains voltage: 230 V, 50 Hz +/- 10 %
 Nominal rating: 300, 600 Watt
 Mains connection: 1.0 m power cable without plug
 Degree of protection: Class I IP44 with CE-marking

FUNCTIONS:

- Manual and programmable operation
- Manual adjustable medium temperature from 40-45°C
- Max. surface temperature ca. 70°C
- With 2 hour timer for adjustable medium temperature from 50°C to 70°C and frost protection.
- Programm variation with 24 h interval

ATTENTION: To switch heating operations:

For summer use:

- Switch off central heating
- Vent the radiator to ensure that there is no air present and make sure that the heating circuit is filled with water
- Close the flow valve (only)
- Activate the immersion heater as required

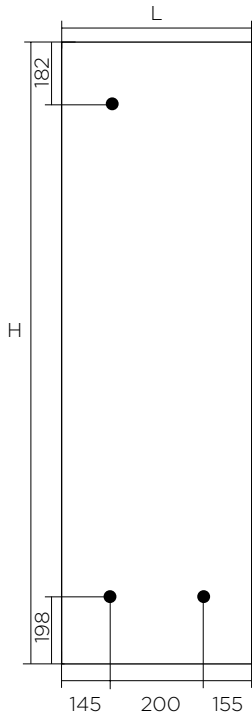
For winter use:

- De-activate the immersion heater
- Open the flow valve

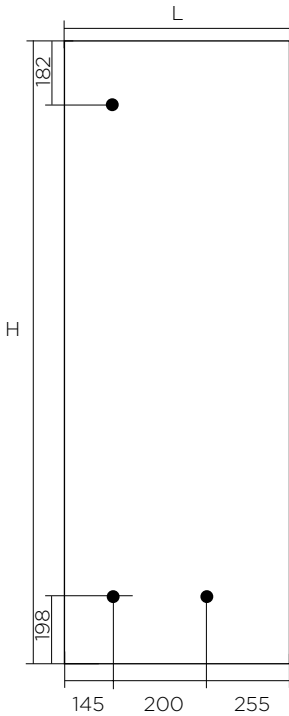
Position of electrical connection

The electrical connection must be performed by an electrician in accordance with applicable regulations

RUNTAL PUZZLE MOUNTING INSTRUCTIONS



**FRONT UART/UARC/
UAERT/UAERC**



**FRONT UZRT/UZRC/
UZERT/UZERC**

- Fixing point
- H Height (mm)
- L Width (mm)

For correct radiator installation, please note the corresponding installation instructions

ZEHNDER GROUP INTERNATIONAL SALES

Almweg 34, DE-77933 Lahr

T +49 7821 586-392, F +49 7821 586-406

International.sales@zehndergroup.com

www.runtal.com

A member company of the Zehnder Group.

runtal