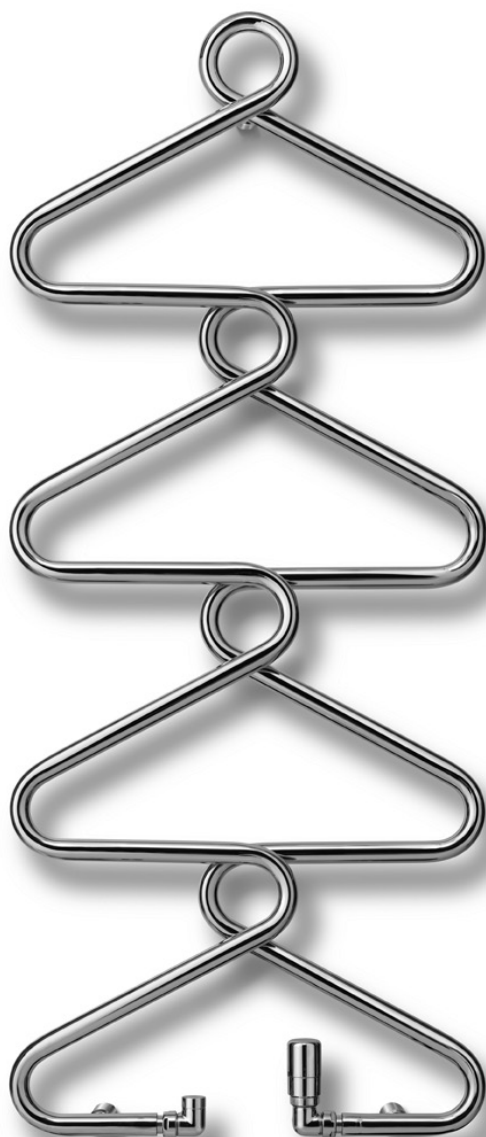
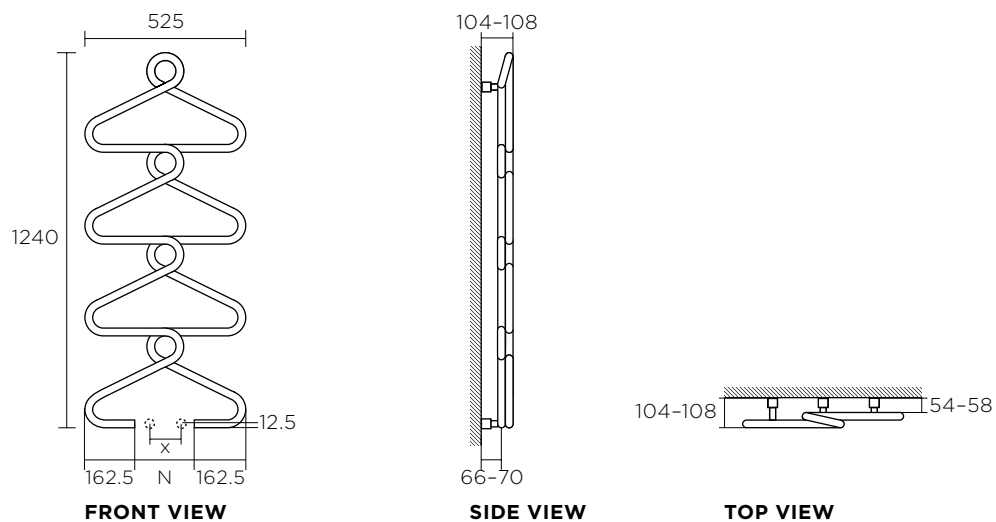

RUNTAL ARCHIBALD



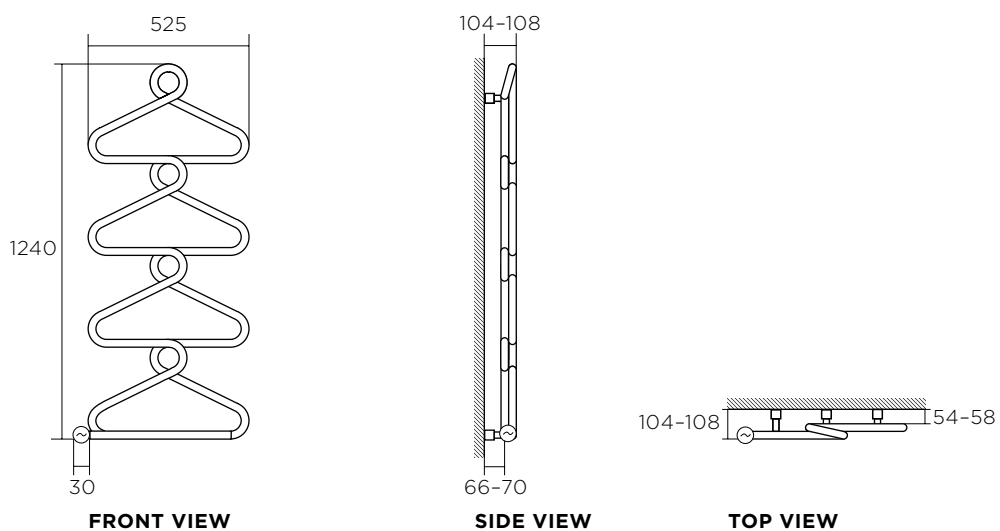
RUNTAL ARCHIBALD TECHNICAL SPECIFICATIONS

CENTRAL HEATING VERSION



- x pipe centres with valves:
- runtal radval corner (suggested) = 112 mm
 - runtal radval square = 112 mm
 - runtal radval xs square = 118 mm
- N connection centres on towel radiator (mm)

ELECTRIC ONLY VERSION



⊖ Electric immersion heater

RUNTAL ARCHIBALD

CENTRAL HEATING

Height 1240 mm	Width mm	N mm	V dm ³	M kg	n	P ΔT 50K Watt	Surface (Code)
ARBR-120-050	525	200	1.90	6.5	1.26	305	White RAL9016 (0603)
ARBRC-120-050	525	200	1.90	6.5	1.26	244	Chrome-plated (0790)

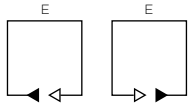
N: connection centres, V: volume, M: empty weight, n: exponent, PΔT 50K: EN442 output

ELECTRIC ONLY VERSION

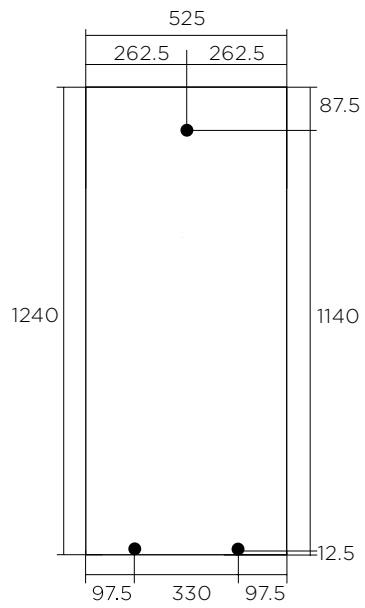
Height 1240 mm	Width mm	M	EP	Surface (Code)
ARBREC-120-050	525	8.0	200	Chrome-plated (0790)

M: weight, EP: electric power

TECHNICAL DATA

Materials	Tubes made of steel \varnothing 25 mm, powder-coated white RAL9016 (O603) or chrome-plated (O790)
Operating pressure	Max. 8.0 bar
Test pressure	Max. 12.0 bar
Operating temperature	Max. 95°C
Standard kit	Wall brackets in same colour as radiator included in packaging
Valves	As per ACCESSORIES price list
Connections	Standard 2 x 1/2" with internal thread, flow ◀/return ▶ on left or right, bottom horizontal facing inwards, 1/4" air vent (E) top rear 
Single-tube systems	not possible
Electric-only model	Immersion heater 1x230 V, 50 Hz +/- 10%. Standard fitted in bottom left. 1.2m power cable (3core) , immersion heater rating: IP on request
Position of electrical connection	The electrical connection must be performed by an electrician in accordance with applicable regulations

RUNTAL ARCHIBALD MOUNTING INSTRUCTIONS



- Fixing point

For correct radiator installation, please note the corresponding installation instructions

ZEHNDER GROUP INTERNATIONAL SALES

Almweg 34, DE-77933 Lahr
T +49 7821 586-392, F +49 7821 586-406
International.sales@zehndergroup.com
www.runtal.com

A member company of the Zehnder Group.

