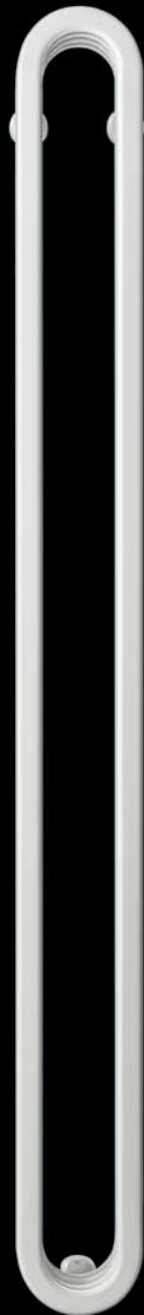

RUNTAL HOT CLIP

PAUL PRIESTMAN



runtal

RUNTAL HOT CLIP. Curved flat oval tubes are connected together elegantly to form a designer radiator. It emanates lightness and harmony — at the same time as pleasant warmth. Whether it is a modern or traditional interior, in the bathroom or the living and working area, whether used horizontally or vertically — RUNTAL HOT CLIP enhances any room thanks to its delicate lines. After all, good design blends into the interior design less through a shrill language of form and more through the refined mode in which it is integrated. RUNTAL HOT CLIP. For the perfect room.

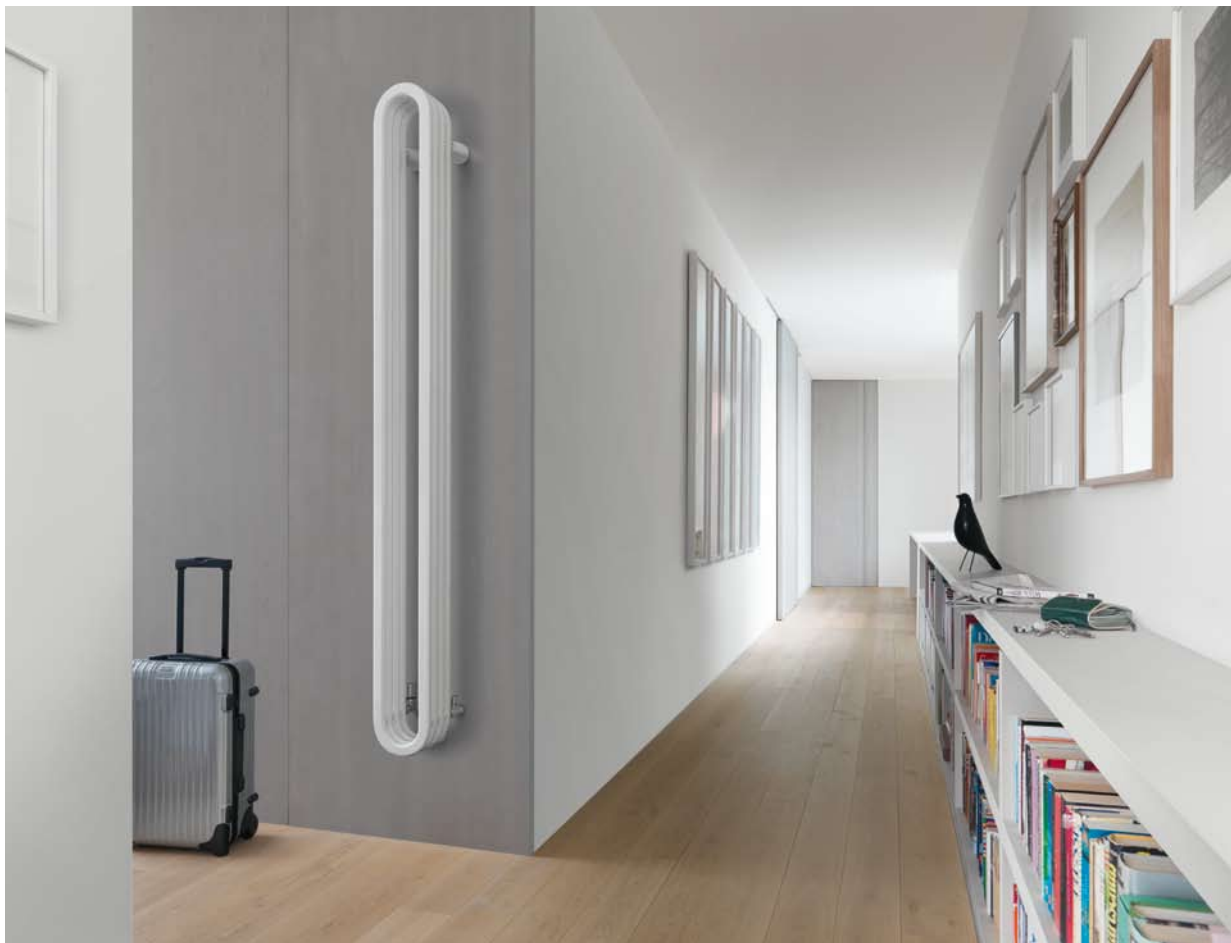


RUNTAL HOT CLIP PAUL PRIESTMAN

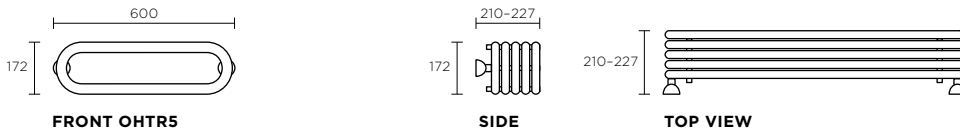
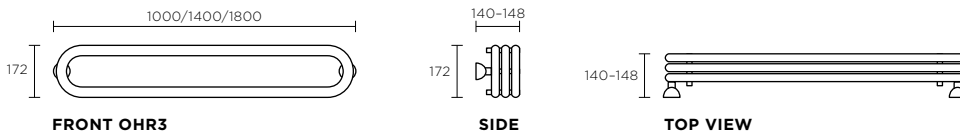
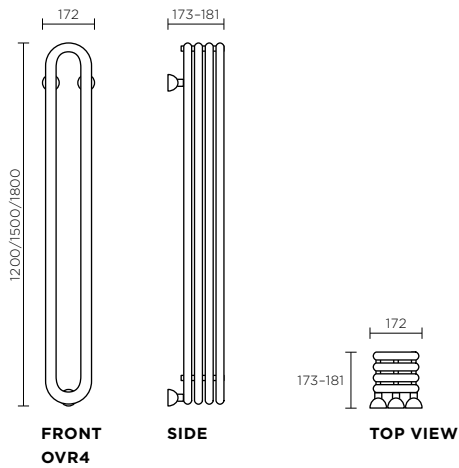
Paul Priestman is an industrial designer and the founder and director of the world-famous London design agency Priestmangoode. For around 25 years his work has been setting standards in transport, environmental and product design. Priestmangoode has created sophisticated and distinctive design solutions for leading companies including Airbus, Virgin Atlantic Airways, Accor Hotels and British Telecom. Paul Priestman is also a respected lecturer and consultant who serves on a number of committees. In recognition of his expertise, he was appointed to the Council of the Royal College of Art.



In addition to RUNTAL HOT CLIP and RUNTAL HOT HOOP, Paul Priestman designed the multi-award-winning radiator RUNTAL SPIRALE, which can be seen in the Philadelphia Museum of Modern Art.



TECHNICAL SPECIFICATIONS



PRODUCT DESCRIPTION

RUNTAL HOT CLIP is an interior design object, practical towel rail and radiator all rolled into one. Its depth is determined by the number of flat oval tubes that are arranged one after the other. Three, four or five elements are located precisely one in front of another, and are connected together. The designer radiator can be mounted horizontally or vertically on the wall. RUNTAL HOT CLIP is equipped with a central heating connection and is available powder-coated in white and metallic.

TECHNICAL DATA

Name	OVR4/OHR3/OHTR5
Height	OVR4 1200/1500/1800 mm OHR3 172 mm OHTR5 172 mm
Width/length	OVR4 172 mm OHR3 1000/1400/1800 mm OHTR5 600 mm
Connections	2x½" rear for flow, return, air vent
Valves	See valves prices list
Colour	Powder-coated, available in white (RAL 9016)/metallic
Heat output	281-582 W
Standard	CE

ZEHNDER GROUP INTERNATIONAL SALES

Almweg 34, D-77933 Lahr

T +49 7821 586-392, F +49 7821 586-406

International.sales@zehndergroup.com

www.runtal.com

A member company of the Zehnder Group.

runtal